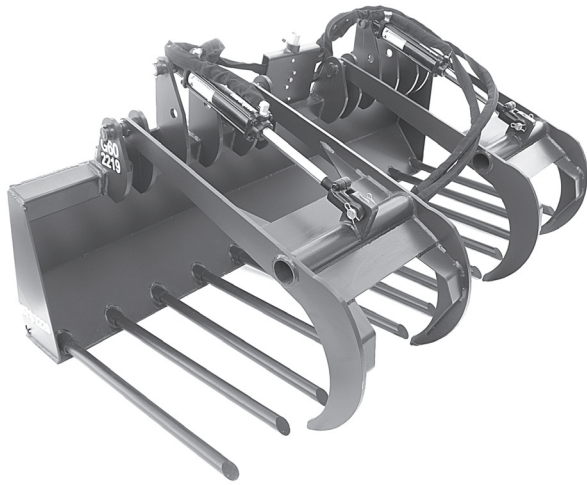




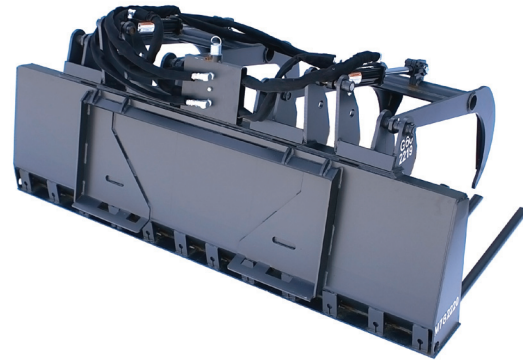
CJJ, Inc.
AttachmentsCJJ.Com
Manure Fork

Form QF018
 Version 7



Use for manure and hay/straw clean-up or light brush clearing.

Large round tine design makes for easy after use wash-down.



Available with or without grapple. Part #s below are for manure forks without grapple.

Manure Fork Specifications					
Part #	9000150	9000151	9000152	9000153	9000154
Description	M54 INCH MANURE FORK-N0 GRAP	M60 INCH MANURE FORK-N0 GRAP	M66 INCH MANURE FORK-N0 GRAP	M72 INCH MANURE FORK-N0 GRAP	M78 INCH MANURE FORK-N0 GRAP
Overall Width	55"	60"	66"	72"	78"
Overall Depth	34"	34"	34"	34"	34"
Overall Height	32.5"	32.5"	32.5"	32.5"	32.5"
Usable Tine Length	26.75"	26.75"	26.75"	26.75"	26.75"
Number of Tines	8	9	10	11	12
Approx. Weight No Grapple	290 lbs.	325 lbs.	360 lbs.	395 lbs.	430 lbs.
Approx. Weight With Grapple	610 lbs.	650 lbs.	690 lbs.	730 lbs.	770 lbs.
Replaceable Tines	Yes				
Made in USA	Specifications are subject to change without notice.				

Contact information:
Phone: 1-800-445-8244
Web: AttachmentsCJJ.Com
<http://www.attachmentscjj.com/html/manure-forks.html>